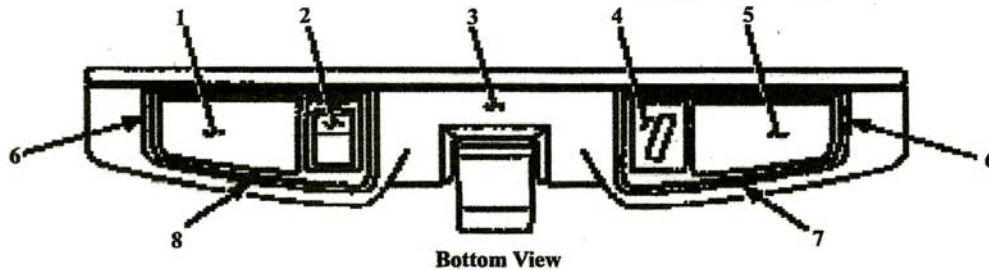


1987–1995 Mirror Reading Lamps

To access the map and reading bulbs, take a small flat screwdriver and unsnap the lens covers from the mirror. The bulb sockets can now be removed.



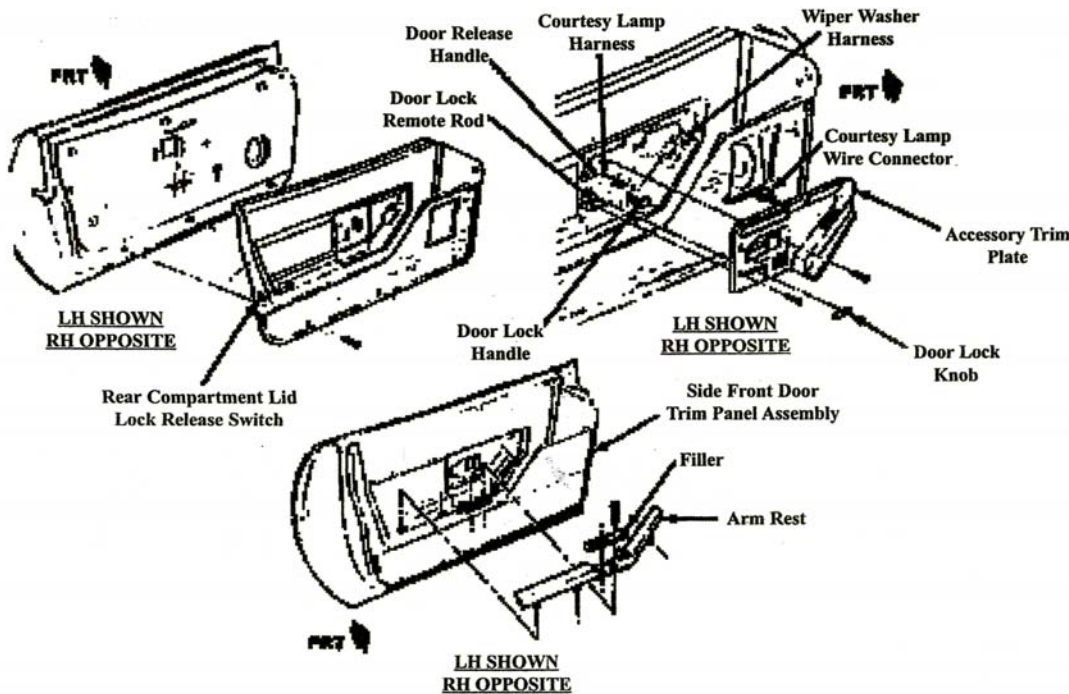
- 1-Driver Side Courtesy/Map Lamp
- 2-Courtesy/Map Lamp Switch
- 3-Inside Rear View Mirror Assembly
- 4-Console Flood Lamp
- 5-Passenger Side Courtesy/Map Lamp
- 6-Release Tab Indent
- 7-Passenger Side Lamp Housing
- 8-Driver Side Lamp/Switch Housing

COURTESY/MAP AND CONSOLE FLOOD LAMPS.

1984–1989 Windshield Wiper Switch Bulb

To access the windshield wiper switch, the left center accessory door panel plate will have to be removed. Removal procedure: remove the two filler armrest Phillips screws. Using a one inch wide putty knife, unsnap the foam armrest from the door panel by putting the putty knife between the foam armrest and the door panel and lift up. Remove the Phillips screws holding the

accessory trim plate to the door panel and unclip the manual lock button from the door rod. Pull out on the panel at the top and unplug the door courtesy light. The wiper switch is attached to the trim panel. Remove the bulb in the switch by turning counterclockwise.



PART NO. 664476

SHEET 1 OF 3



DATE	REVISION	AUTH	DR
9/2/2008			

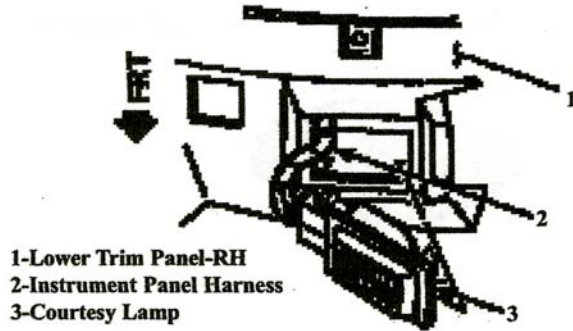
INSTALLATION INSTRUCTIONS

PART NO. 664476

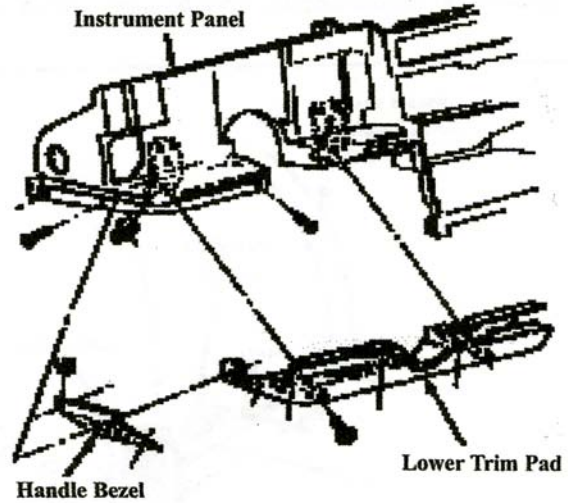
SHEET 1 OF 3

1984–1995 Coupe and Convertible Front Floor Courtesy Lamp

To access the bulb, unsnap the lens from the lower panel by inserting a flat screwdriver under either end of the lens. Twist the screwdriver. If needed, do the same on the other end of the lens.



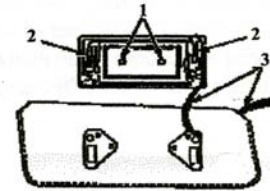
INSTRUMENT PANEL COURTESY LAMPS



I.P. LOWER TRIM PAD L.H.

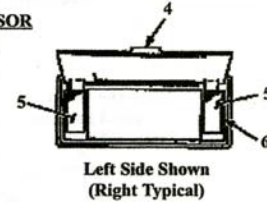
1984–1995 Visor Mirror Bulbs

The mirror light assembly can be unsnapped from the sunvisor; but, it is somewhat difficult to snap back into position. An easier way is to pull the visor away from either end of the light cover and use a small screwdriver to unclip the white socket that is holding the bulb. Reassemble in the same way.



LIGHTED VISOR MIRROR

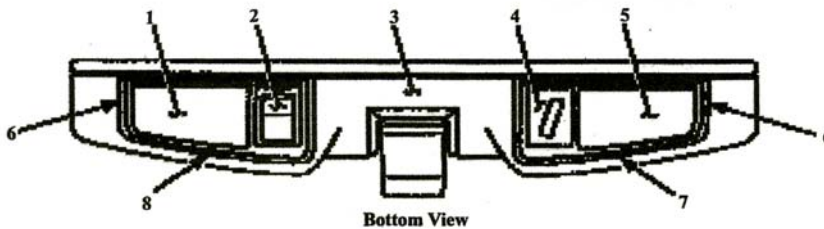
- 1-Mirror/Lamp Assembly Engaging Tabs
- 2-Bulbs
- 3-Lamp Harness
- 4-Mirror Cover Door
- 5-Lamps
- 6-Switch On/Off



Left Side Shown (Right Typical)

1984–1995 Mirror Map Lamp

To access the map and reading bulbs, take a small flat screwdriver and unsnap the lens covers from the mirror. The bulb sockets can now be removed.



COURTESY/MAP AND CONSOLE FLOOD LAMPS

- 1-Driver Side Courtesy/Map Lamp
- 2-Courtesy/Map Lamp Switch
- 3-Inside Rear View Mirror Assembly
- 4-Console Flood Lamp
- 5-Passenger Side Courtesy/Map Lamp
- 6-Release Tab Indent
- 7-Passenger Side Lamp Housing
- 8-Driver Side Lamp/Switch Housing

PART NO. 664476

SHEET 2 OF 3



DATE	REVISION	AUTH	DR
9/2/2008			

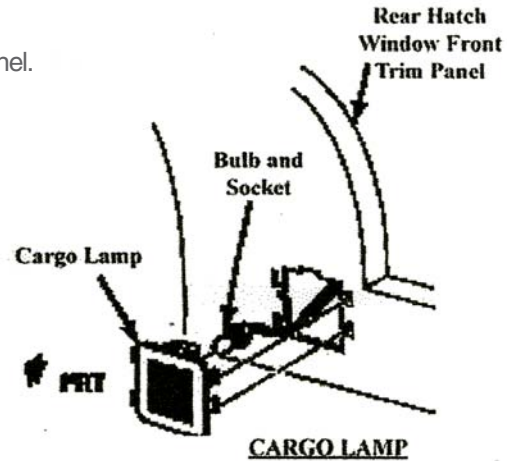
INSTALLATION INSTRUCTIONS

PART NO. 664476

SHEET 2 OF 3

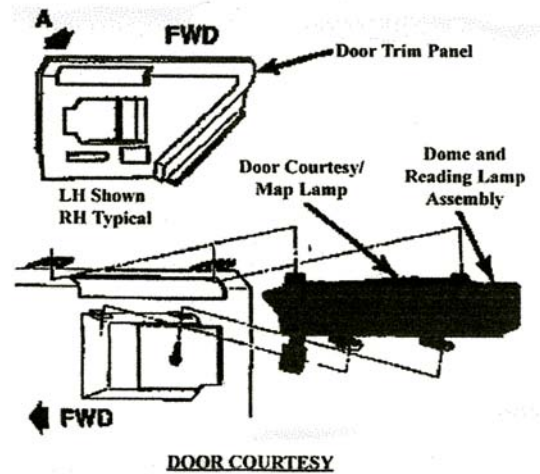
1984–1995 Coupe Cargo Bulb

Using a small flat screwdriver, unsnap the rear of the lens from the trim panel.



1984–1995 Courtesy Door Lamp

To access the bulb, remove the Phillips screws holding the center plastic bezel plate to the door panel. Pull the panel outward at the top and remove the two screws holding the lens to the panel. Unclip the lens cover as shown in the picture. Always replace the bulb with the correct bulb which has 6 candlelight power. (The hood lamp bulb looks like the door bulb, but it has 12 candlelight power. These will melt the door plastic lens if used.)



DATE	REVISION	AUTH	DR
9/2/2008			